

SERVICE MANUAL

SPLIT TYPE ROOM AIR CONDITIONER

CEILING type (50Hz)

Models	Indoor unit	Outdoor unit
	ABG36ABA3W	AOG36ACG3L
	ABY36ABA3W	AOY36ACG3L
	ABT36ABA3W	AOT36ACG3L
	ABG45ABA3W	AOG45ACA3L
	ABY45ABA3W	AOY45ACA3L
	ABT45ABA3W	AOT45ACA3

CONTENTS

SPECIFICATIONS	1
OUTLINE AND DIMENSIONS	2
REFRIGERANT SYSTEM DIAGRAM	3
ERROR CONTENTS	4
CIRCUIT DIAGRAM	5
INDOOR PRINTED CIRCUIT BOARD CIRCUIT DIAGRAM	7
REMOTE CONTROL UNIT CODE SWITCHING	8
DISASSEMBLY ILLUSTRATION	9
PARTS LIST	20



Большая библиотека технической документации

<https://splitsystema48.ru/instrukcii-po-ekspluatacii-kondicionerov.html>

каталоги, инструкции, сервисные мануалы, схемы.

SPECIFICATIONS

TYPE	COOL	
INDOOR UNIT	AB □ 36ABA3W	AB □ 45ABA3W
OUTDOOR UNIT	AO □ 36ACG3L	AOG45ACA3L, AOY45ACA3L, AOT45ACA3
COOLING CAPACITY (kW)	10.3 - 10.5	12.4 - 12.7

ELECTRICAL DATA

POWER SOURCE (V)	380 - 415	
FREQUENCY (Hz)	3 ϕ / 50	
RUNNING CURRENT (A)	7.0 - 7.2	7.5 - 7.5
INPUT WATTS (kW)	3.80 - 3.90	4.45 - 4.57
E.E.R. (kW/kW)	2.71 - 2.69	2.79 - 2.78
MOISTURE REMOVAL (ℓ/hr)	4.0	5.5
AIR CIRCULATION-Hi (m ³ /hr)	1,660	1,850

COMPRESSOR

TYPE	Hermetic type, 2 pole, 3-phase, Induction motor	
CODE	CR47KQ-TFD	CRPQ-0450-TFD
REFRIGERANT R-22 (g)	2,350	3,150

FAN MOTOR

POWER SOURCE (V)	220 - 240		
INDOOR UNIT	TYPE	MFA-45DZM	
	HI-SPEED (r.p.m.)	1,000	1,100
	MED-SPEED (r.p.m.)	900	1,000
	LO-SPEED (r.p.m.)	750	850
OUTDOOR UNIT	TYPE	MFB-362FT	
	HI-SPEED (r.p.m.)	790	

DIMENSIONS

INDOOR UNIT	H x W x D (mm)	240 x 1,660 x 700	
OUTDOOR UNIT		1,152 x 940 x 370	

WEIGHT

INDOOR UNIT	GROSS / NET (kg)	61 / 48	
OUTDOOR UNIT		108 / 94	116 / 102

ADDITIONAL REFRIGERANT R-22

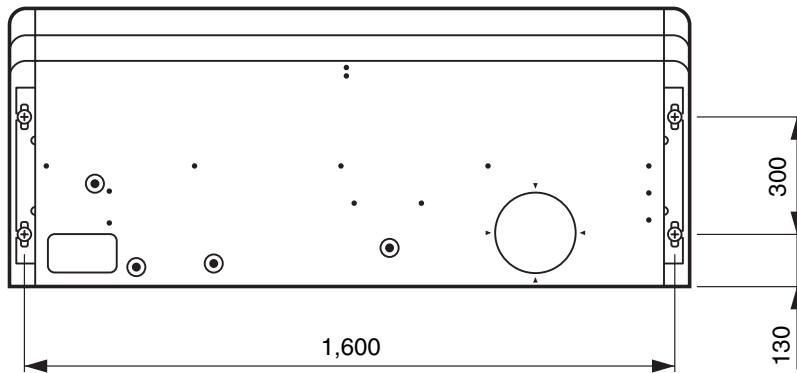
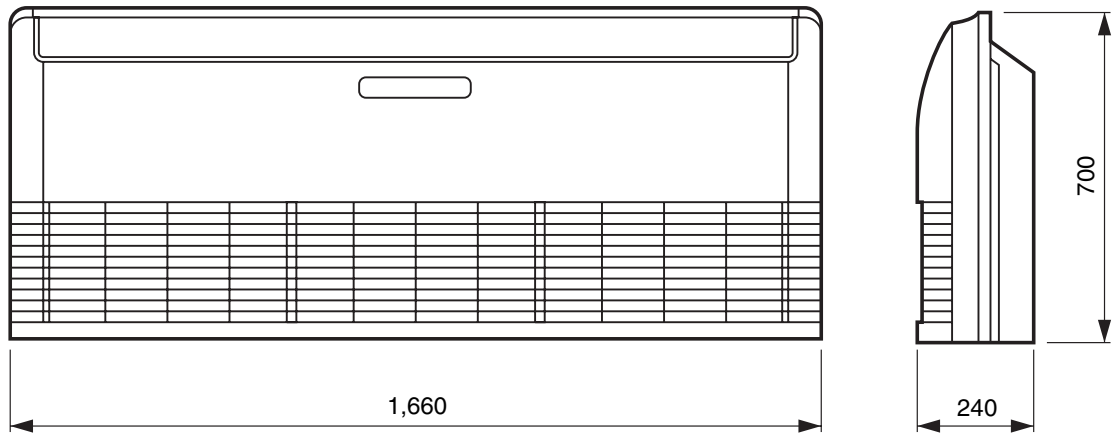
7.5 m (25 ft)	2,350 g (82.9 oz)	3,150 g (111.1 oz)
10.0 m (33 ft)	2,350 g (82.9 oz)	3,150 g (111.1 oz)
20.0 m (66 ft)	2,350 g (82.9 oz)	3,150 g (111.1 oz)
25.0 m (82 ft)	2,550 g (89.9 oz)	3,350 g (118.2 oz)
30.0 m (98 ft)	2,750 g (97.0 oz)	3,550 g (125.2 oz)
40.0 m (131 ft)	3,150 g (111.1 oz)	3,950 g (139.3 oz)
50.0 m (164 ft)	3,550 g (125.2 oz)	4,350 g (153.4 oz)
ADDITIONAL CHARGE	40 g (0.43 oz) / 3.3 ft (1 m)	
CHARGELESS	20 m (66 ft)	
MAX PIPE LENGTH	50 m (164 ft)	
MAX ELEVATION	30 m (98 ft)	

Note : • Between 7.5 m and 50 m, when using a connection pipe other than in the table, charge additional refrigerant with 40 g(1.41 oz) / 1 m (3.3 ft) as the criteria.
• Additional gas charge is not necessary with pipe length up to 20 m.

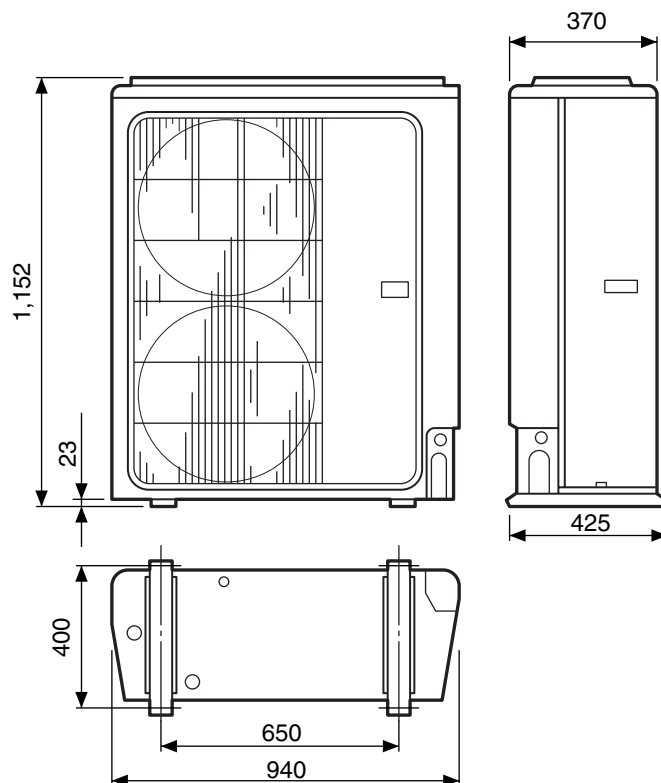
OUTLINE AND DIMENSIONS

INDOOR UNIT

(Unit : mm)

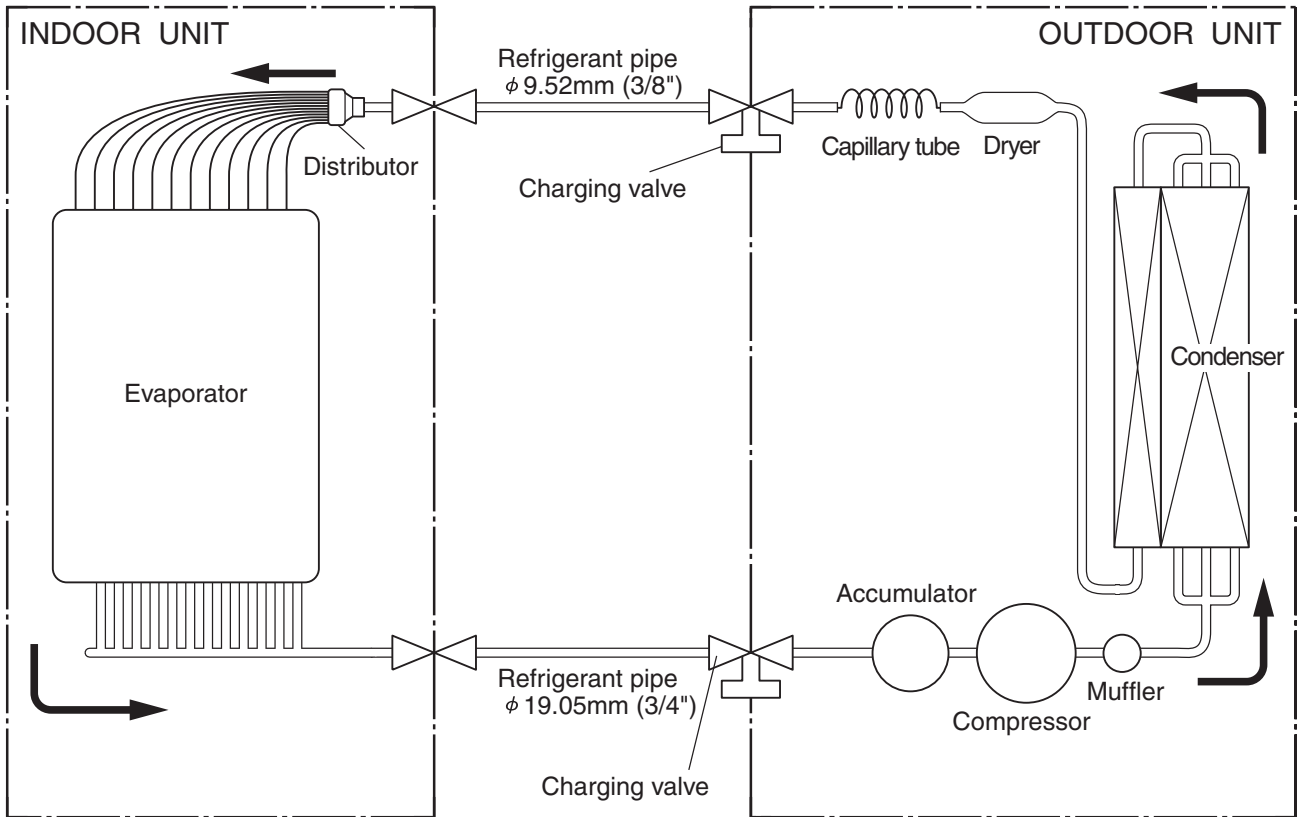


OUTDOOR UNIT

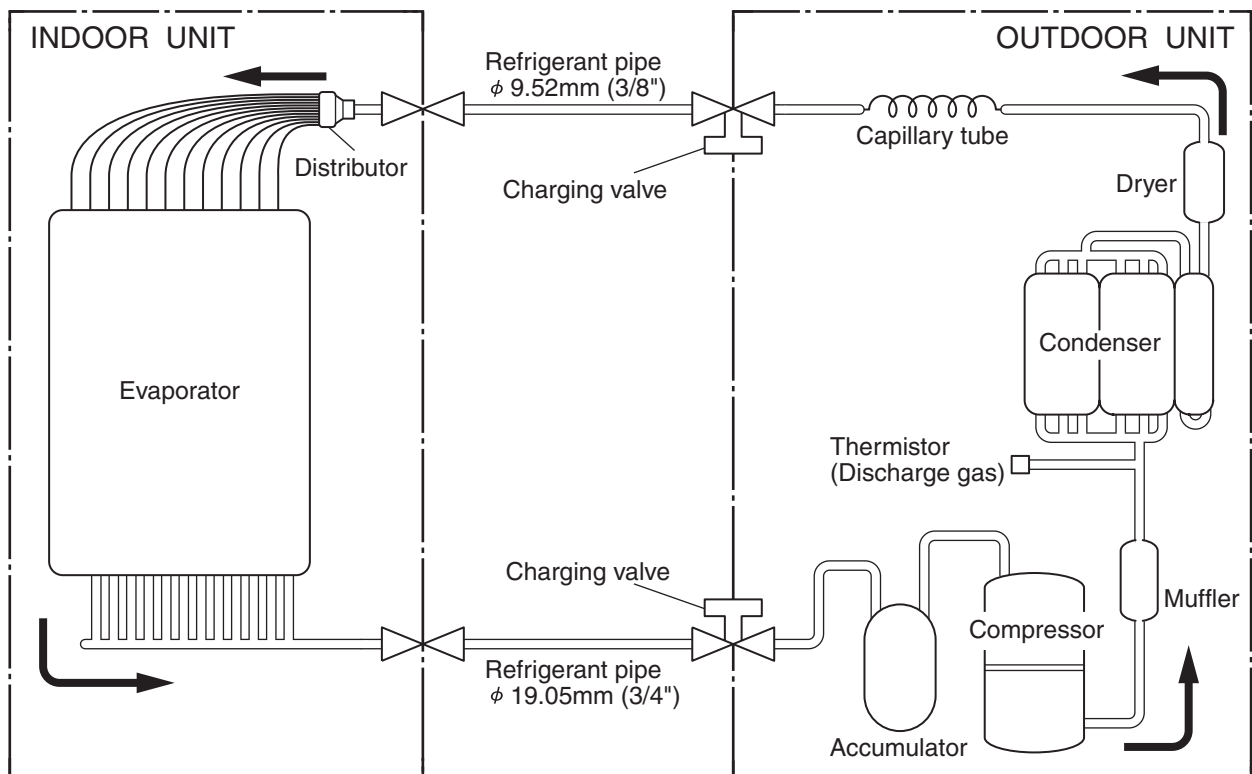


REFRIGERANT SYSTEM DIAGRAM

Models : AB □ 36ABA3W / AO □ 36ACG3L



Models : AB □ 45ABA3W / AO □ 45ACA3L
ABT45ABA3W / AOT45ACA3

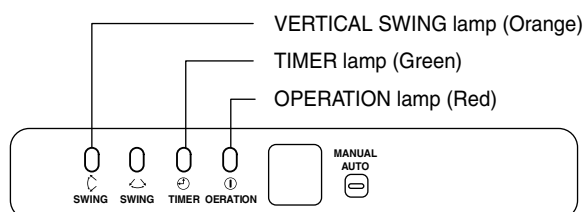


ERROR CONTENTS

INDOOR UNIT

Operation can be checked by lighting and flashing of the display section OPERATION, TIMER, and VERTICAL SWING lamps.

Perform judgment in accordance with the following.



TEST RUNNING

When the air conditioner is run by pressing the remote control unit test run button, the OPERATION, TIMER, and VERTICAL SWING lamps flash slowly at the same time.

ERROR

The OPERATION, TIMER, and VERTICAL SWING lamps operate as follows (Table 1) according to the error contents.

Table 1

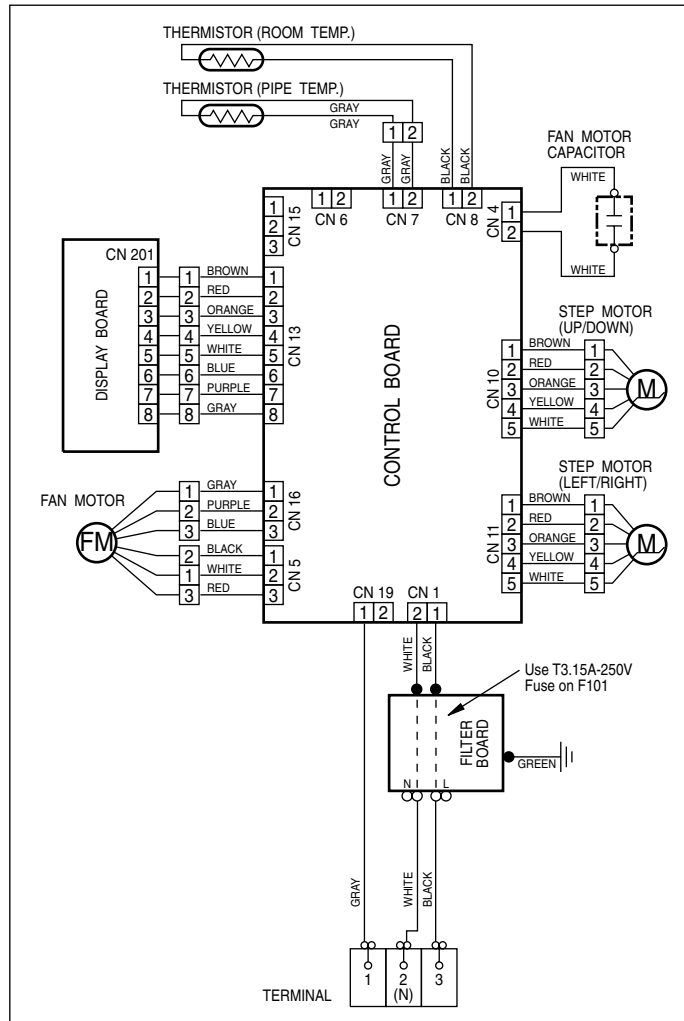
Error contents	Error display		
	OPERATION lamp	TIMER lamp	VERTICAL SWING lamp
Indoor EEPROM abnormal	○	○	X
Outdoor EEPROM abnormal	○	○	○
Indoor room temperature sensor open	(2 times) ●	○	X
Indoor room temperature sensor short-circuited	(2 times) ●	○	○
Indoor heat exchanger temperature sensor open	(3 times) ●	○	X
Indoor heat exchanger temperature sensor short-circuited	(3 times) ●	○	○
Float switch operated	(4 times) ●	○	X
Indoor signal abnormal	(5 times) ●	○	X
Outdoor signal abnormal	(5 times) ●	○	○
Indoor fan abnormal	(6 times) ●	○	X
Outdoor power source connection abnormal	○	(2 times) ●	X
Outdoor heat exchanger temperature sensor open	○	(3 times) ●	X
Outdoor heat exchanger temperature sensor short-circuited	○	(3 times) ●	○
Outdoor temperature sensor open	○	(4 times) ●	X
Outdoor temperature sensor short-circuited	○	(4 times) ●	○
Outdoor discharge pipe temperature sensor open	○	(5 times) ●	X
Outdoor discharge pipe temperature sensor short-circuited	○	(5 times) ●	○
Outdoor high pressure abnormal	○	(6 times) ●	X
Outdoor discharge pipe temperature abnormal	○	(7 times) ●	X

○ : 0.1s ON / 0.1s OFF (flash) X : OFF

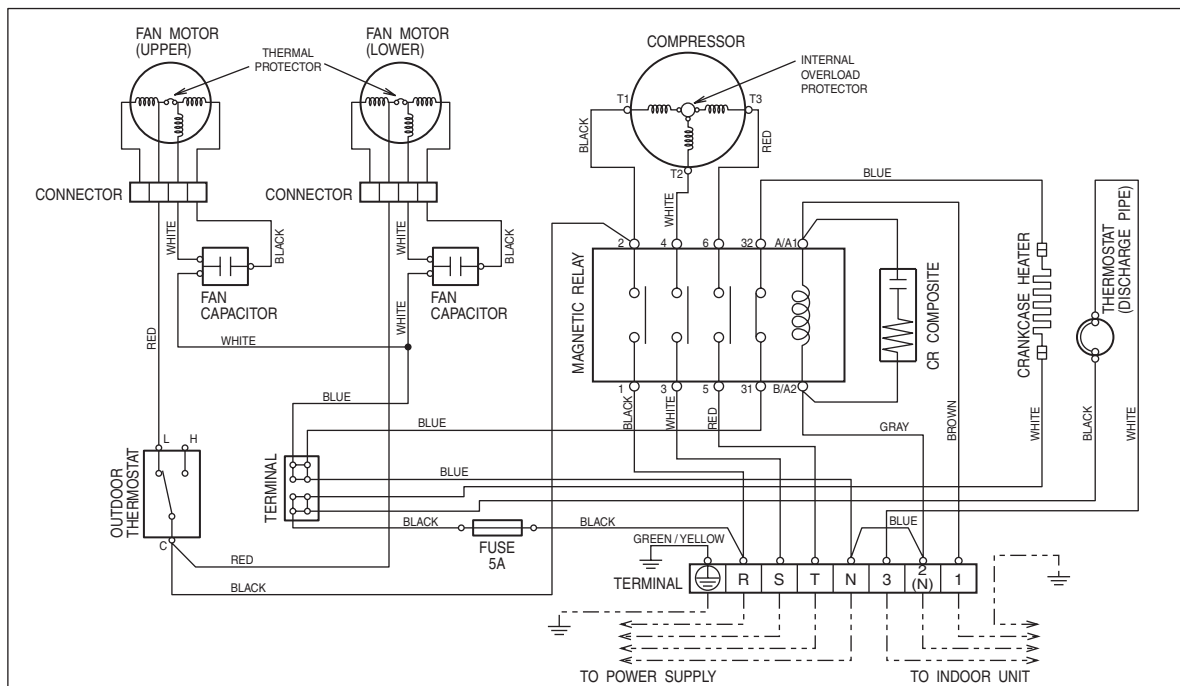
● : 0.5s ON / 0.5s OFF (flash)

CIRCUIT DIAGRAM

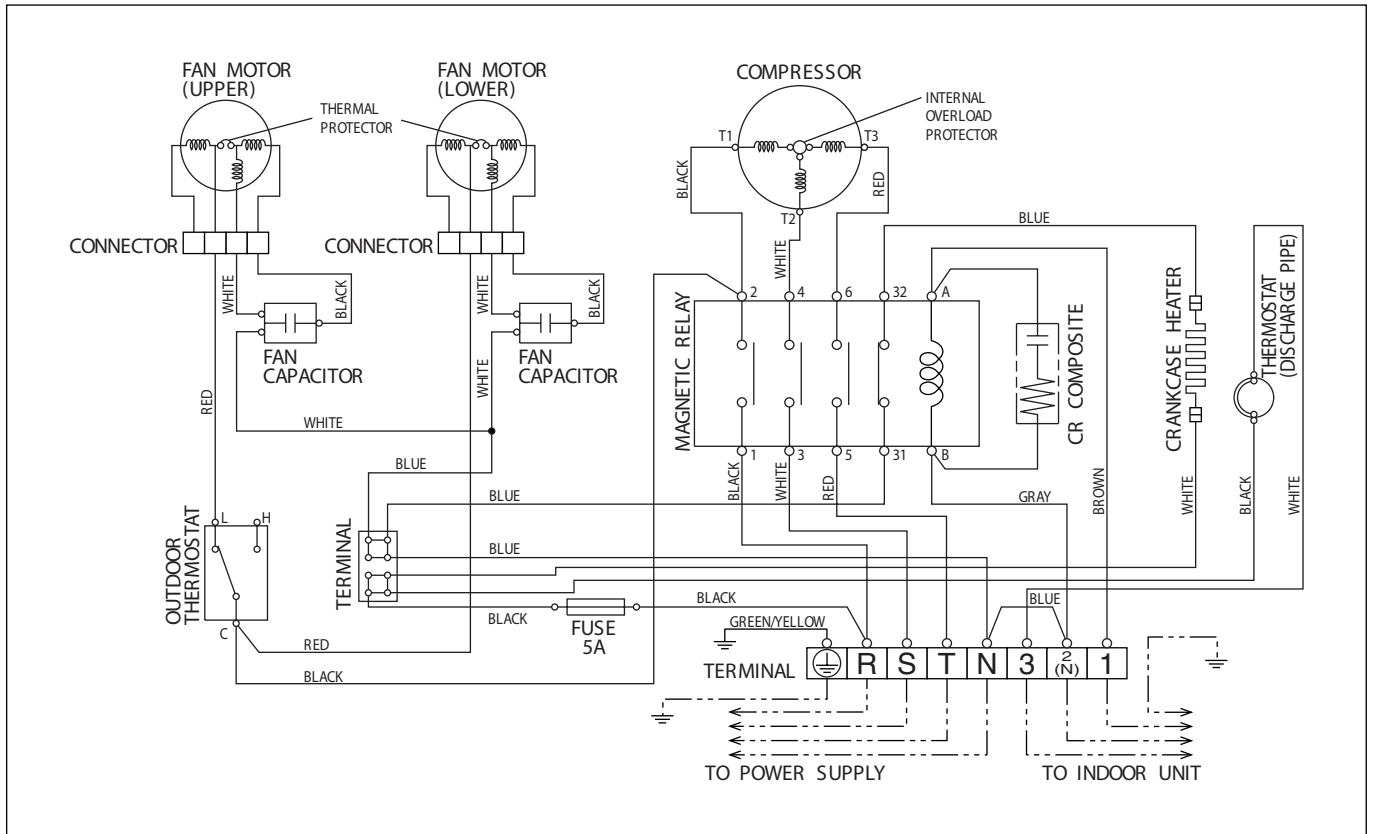
Models : AB □ 36ABA3W
AB □ 45ABA3W



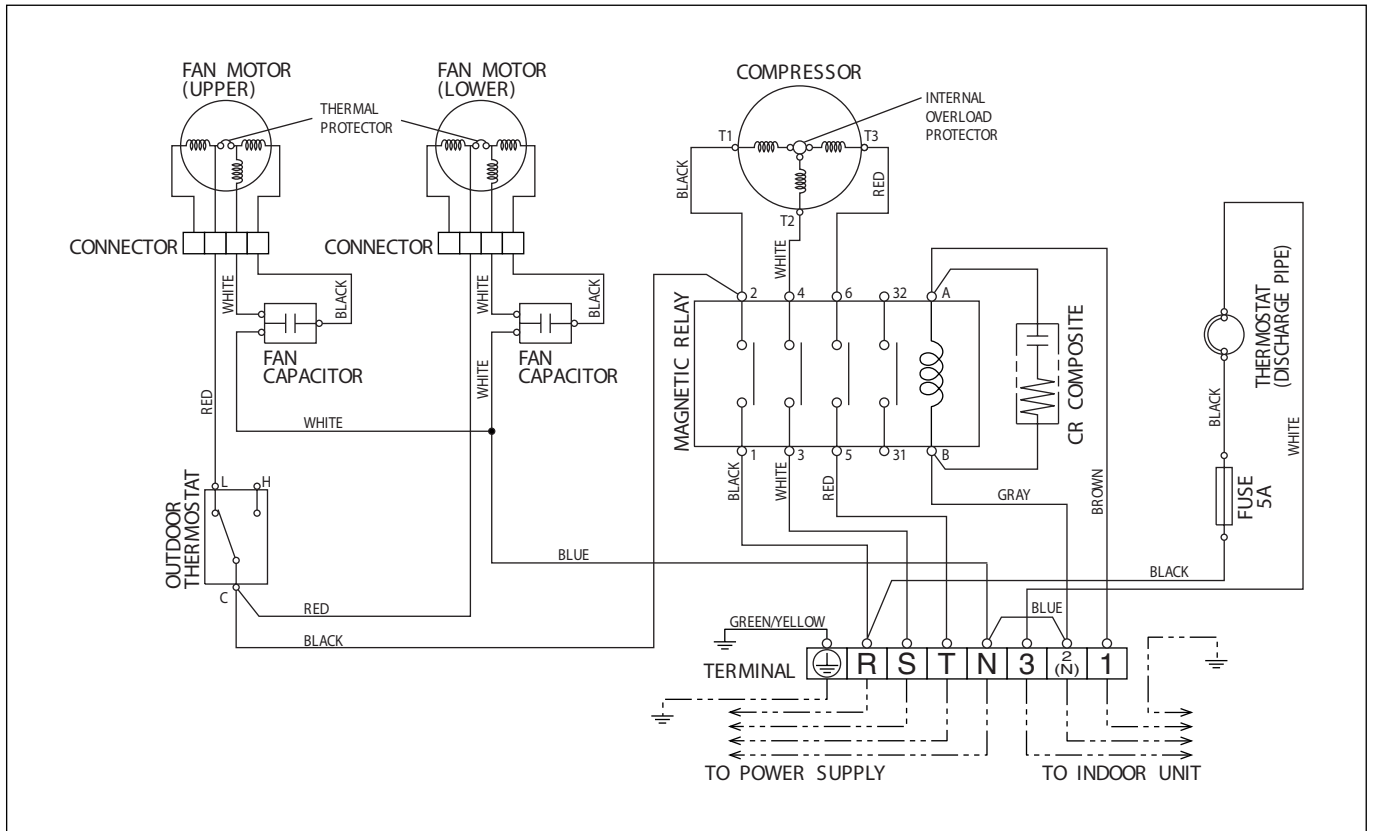
Model : AO □ 36ACG3L



**Models : AOG45ACA3L
AOY45ACA3L**



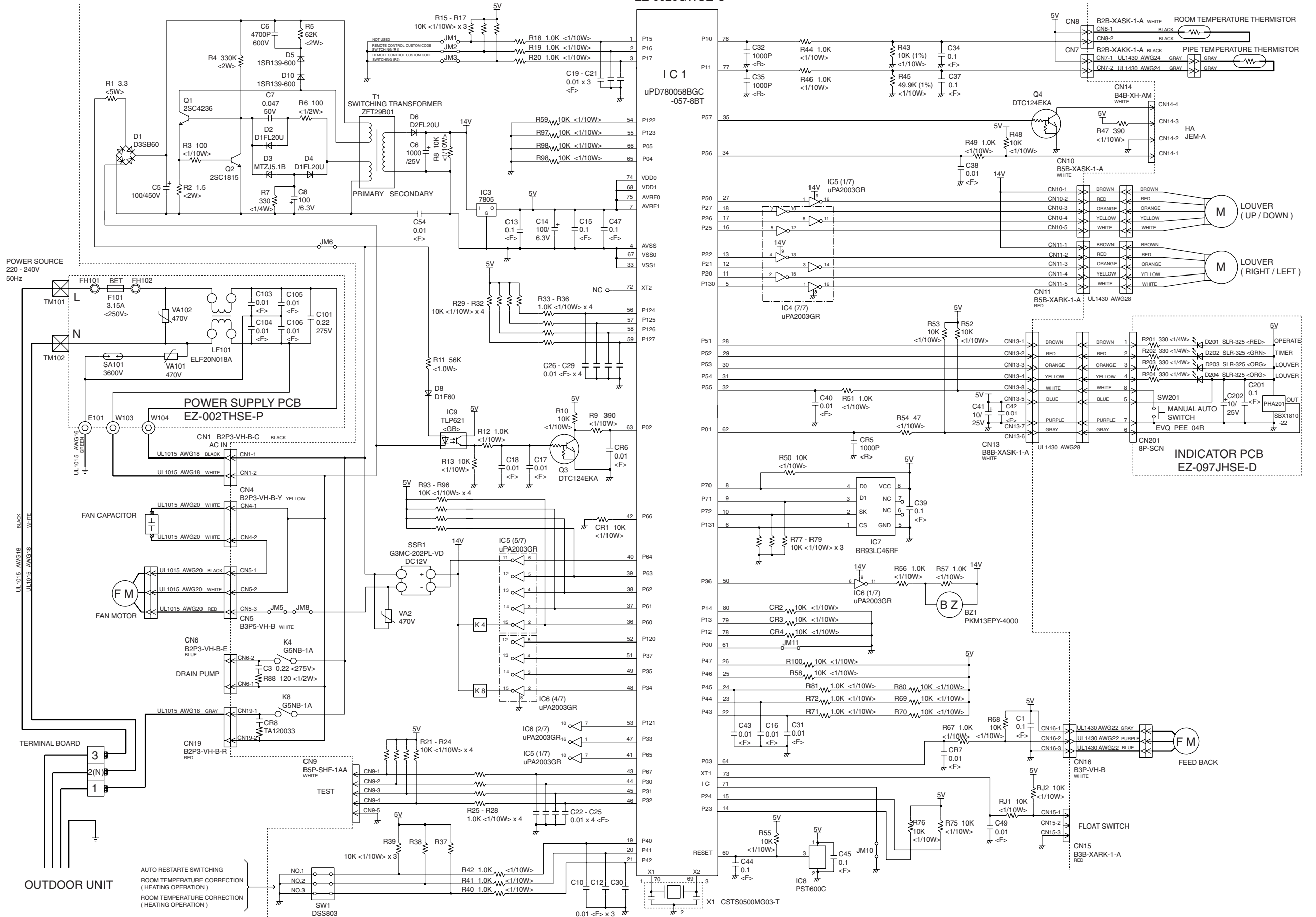
Model : AOT45ACA3



INDOOR PRINTED CIRCUIT BOARD CIRCUIT DIAGRAM

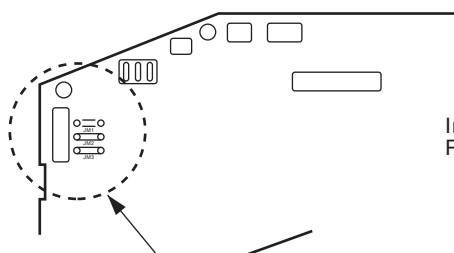
Models : AB □ 36ABA3W
AB □ 45ABA3W

CONTROLLER PCB ASSEMBLY (MAIN PCB)
EZ-0020GWSE-C

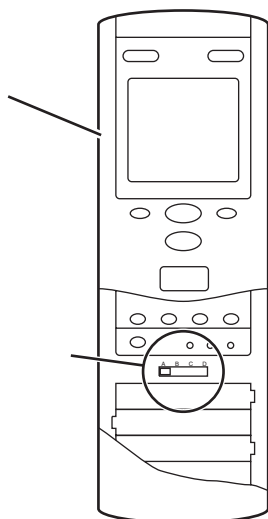
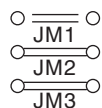


Все каталоги и инструкции здесь:

REMOTE CONTROL UNIT CODE SWITCHING

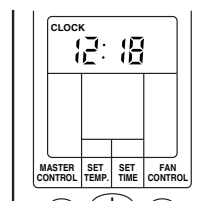


Indoor unit
Printed circuit board

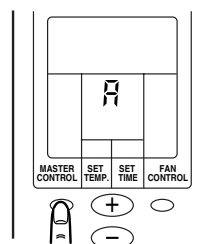


Remote control unit settings

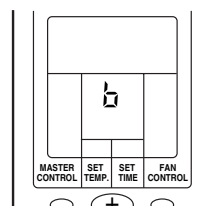
- (1) Press the START/STOP button and display only the clock.



- (2) Press the MASTER CONTROL button continuously for more than five seconds to display the current signal code.



- (3) Change the signal code with the (+)/(-) button (A → B → C → D).



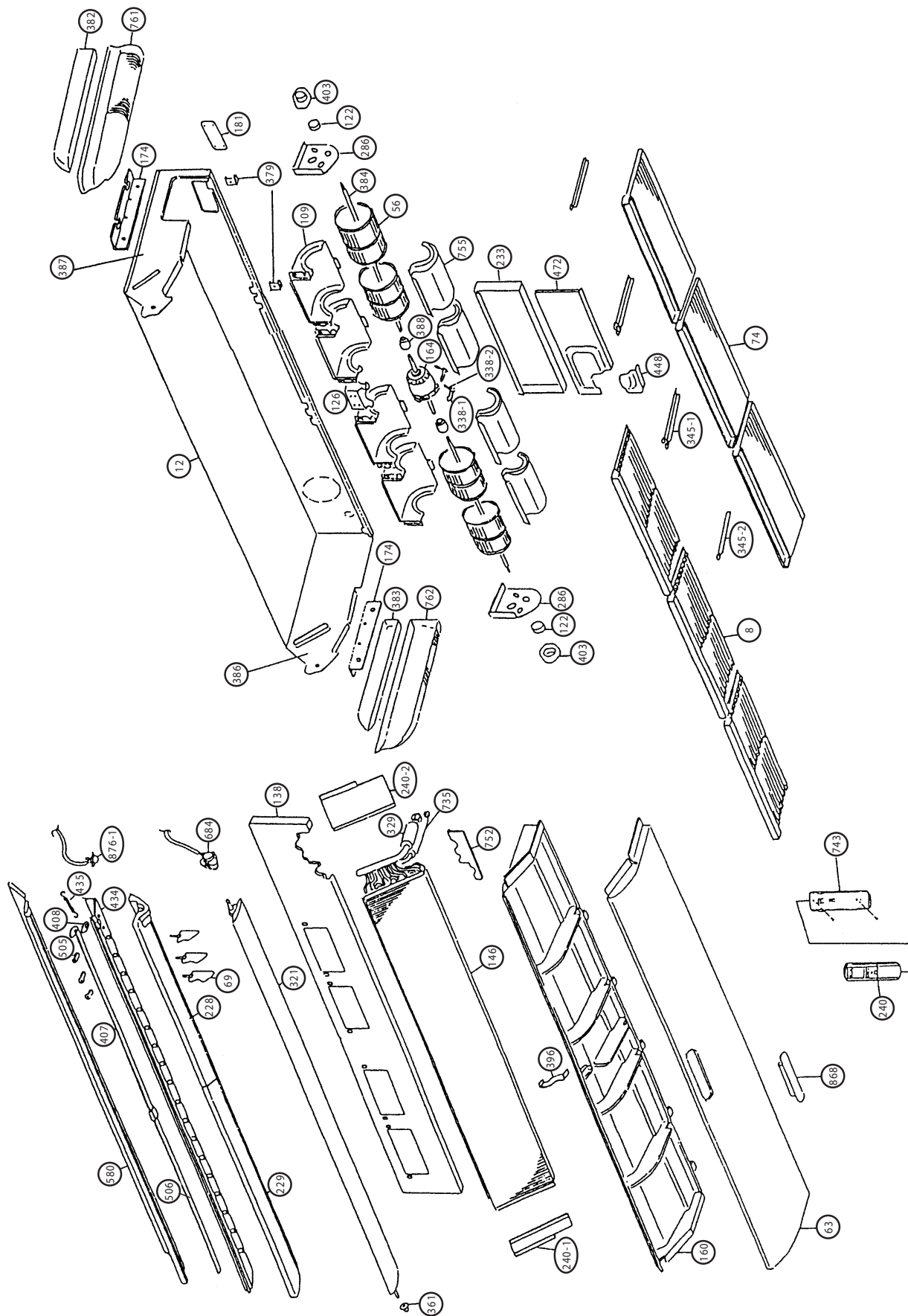
- (4) Press the MASTER CONTROL button again to return to the clock display and change the signal code.

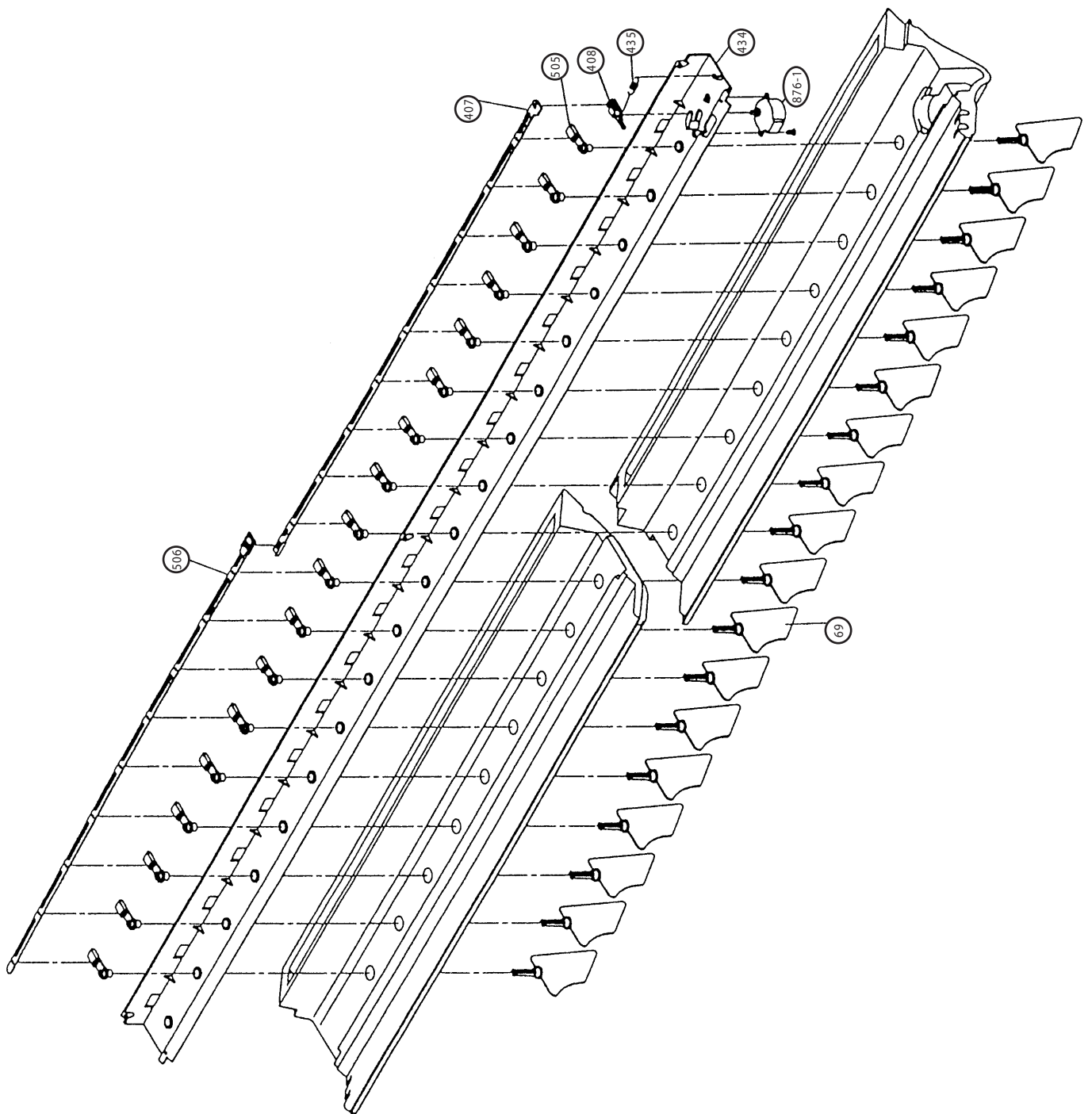
Confirm the setting of the remote control unit signal codes setting and the printed circuit board setting.
If these are not confirmed, the remote control unit cannot be used to operate for the air conditioner.

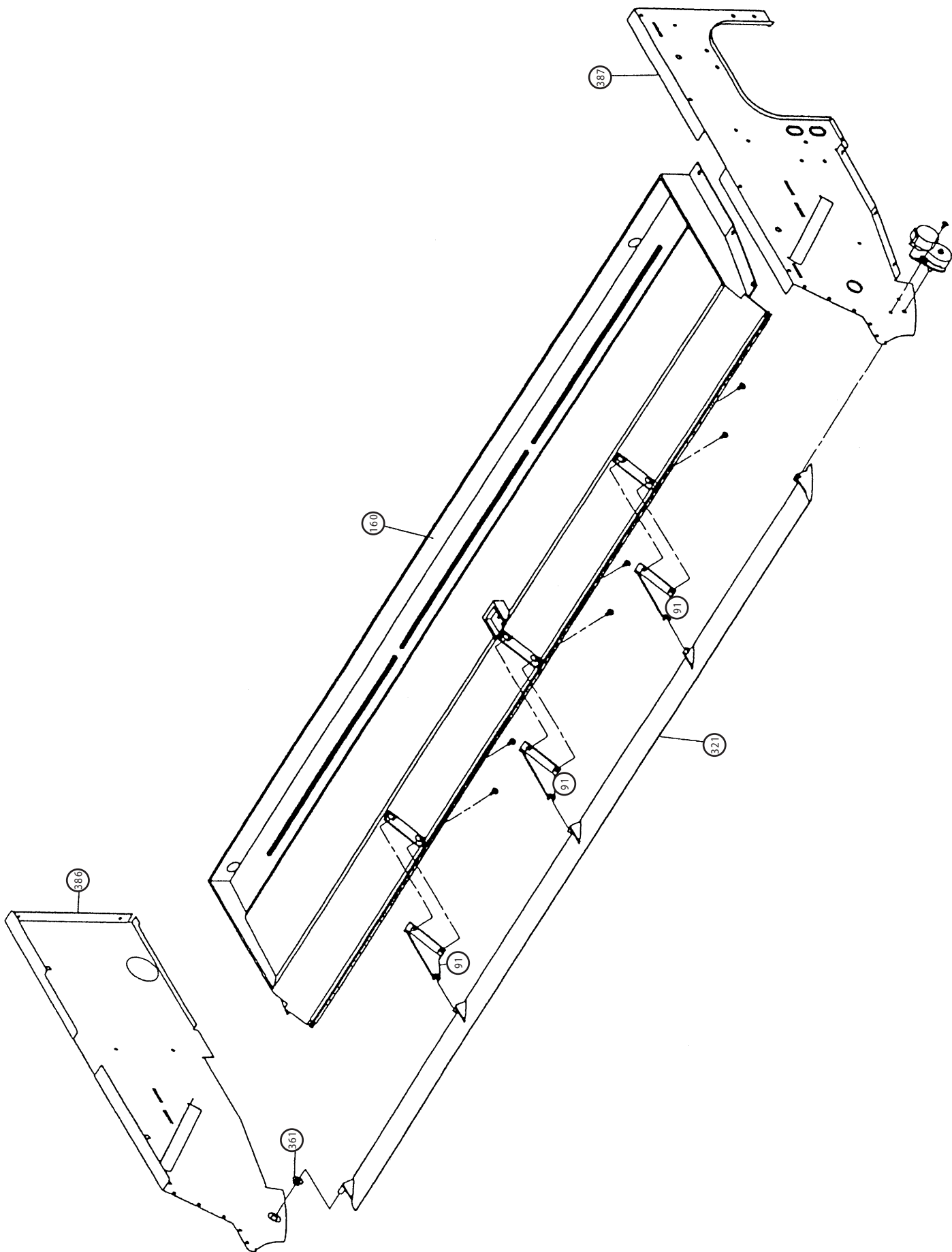
Jumper wire		Remote control unit signal selector switch
JM 2	JM 3	
Connect	Connect	A (Primary setting)
Connect	Disconnect	B
Disconnect	Connect	C
Disconnect	Disconnect	D

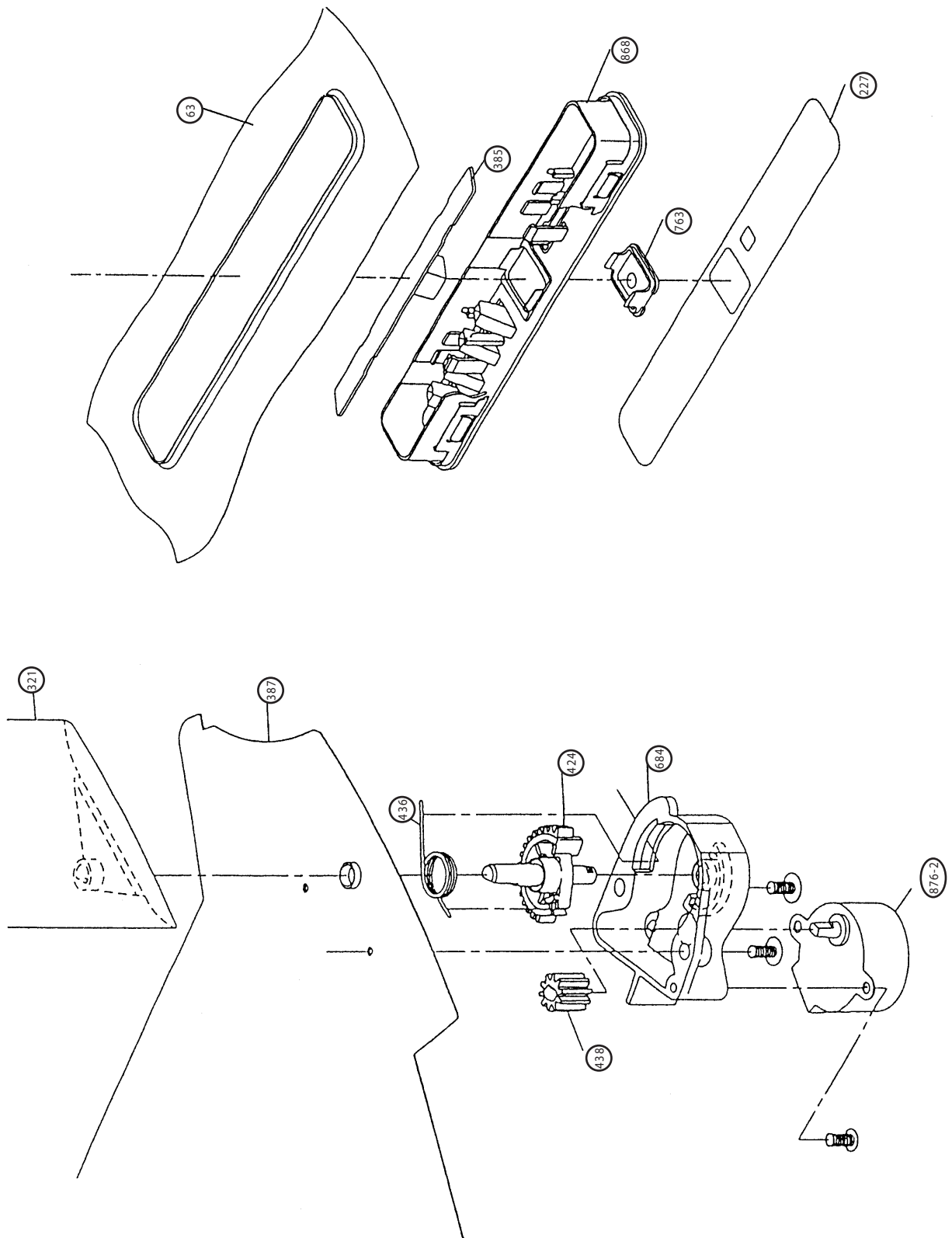
DISASSEMBLY ILLUSTRATION

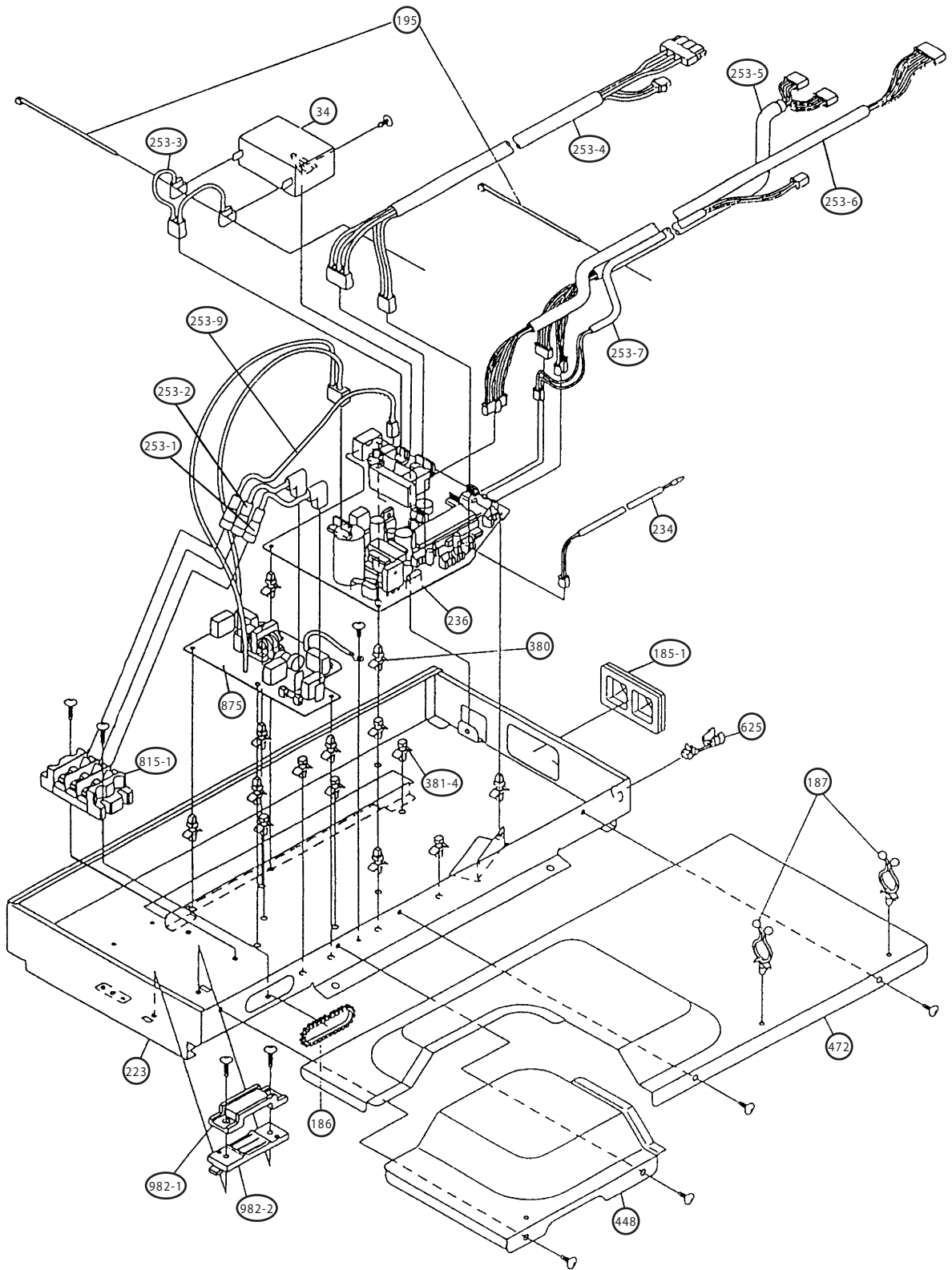
Models : AB 36ABA3W
AB 45ABA3W



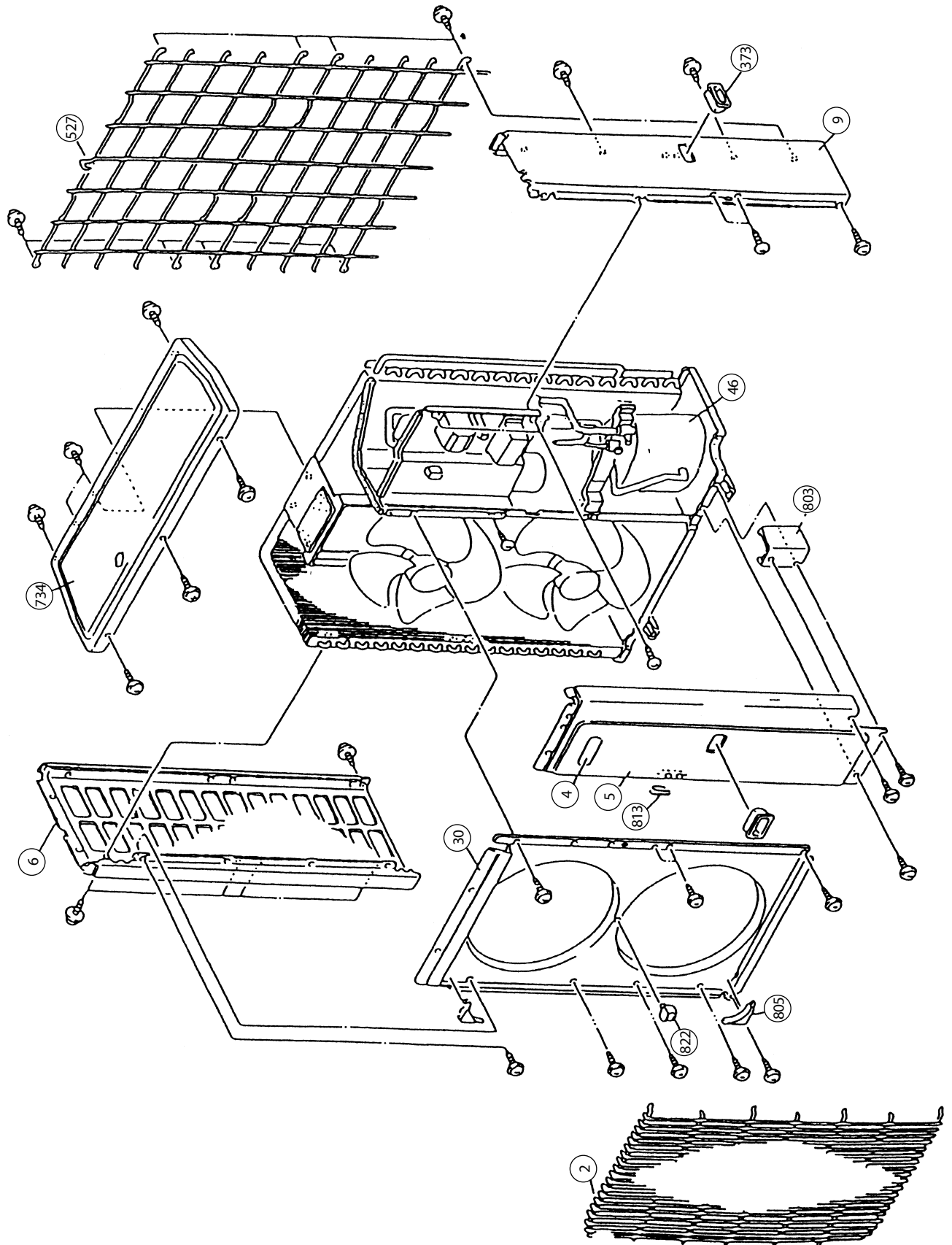


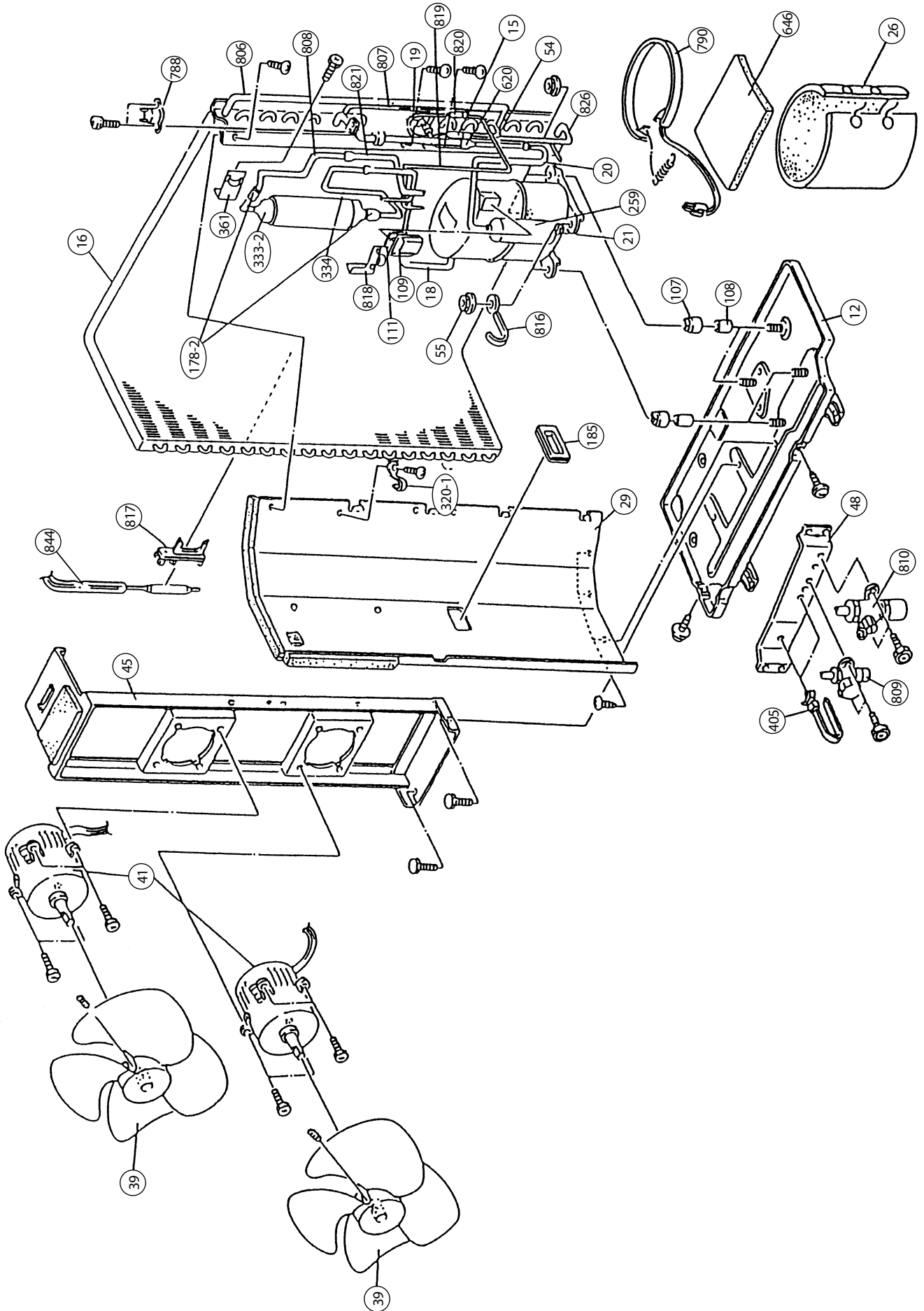




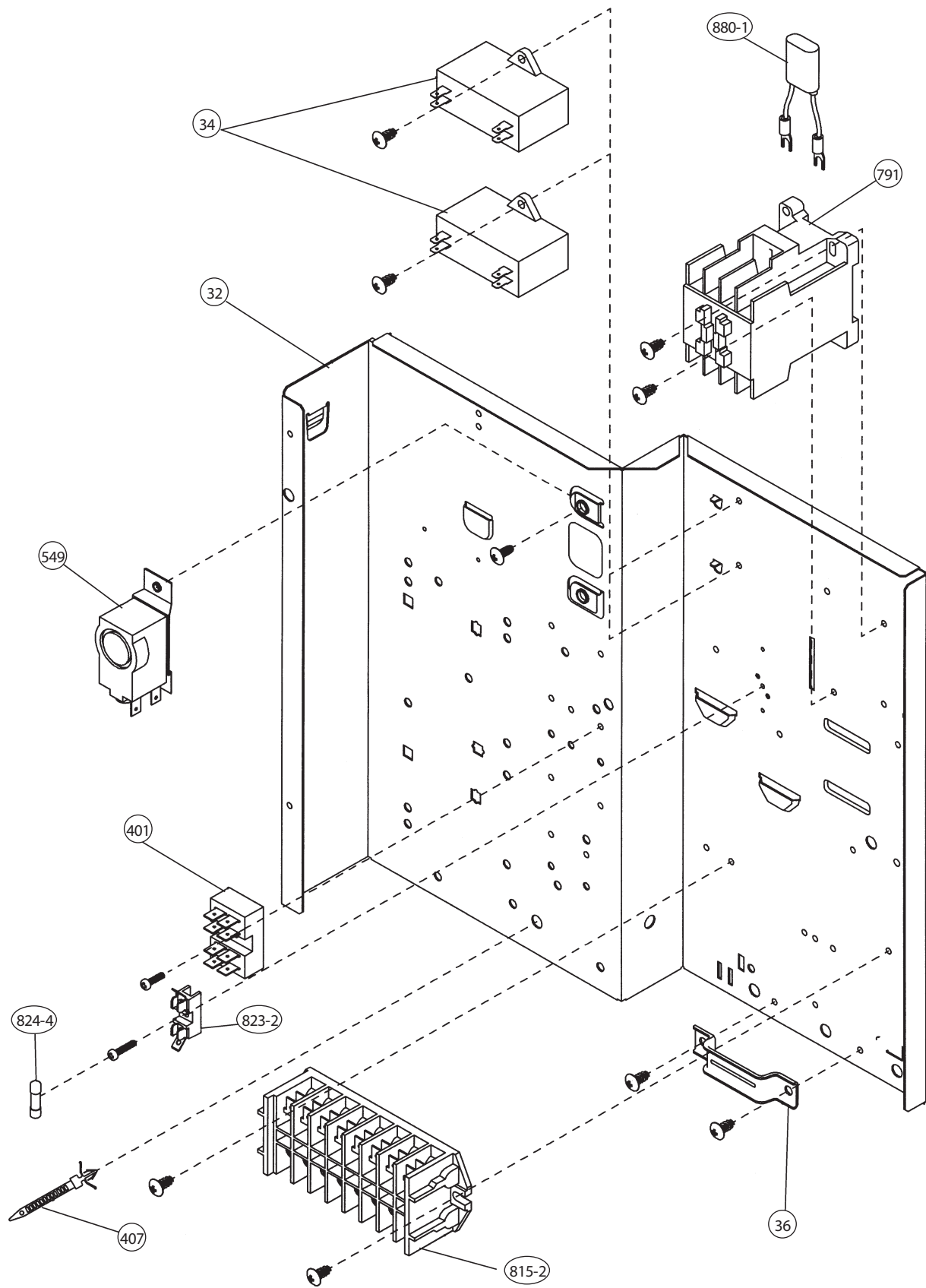


Models : AO □ 36ACG3L
AO □ 45ACA3L
AOT45ACA3

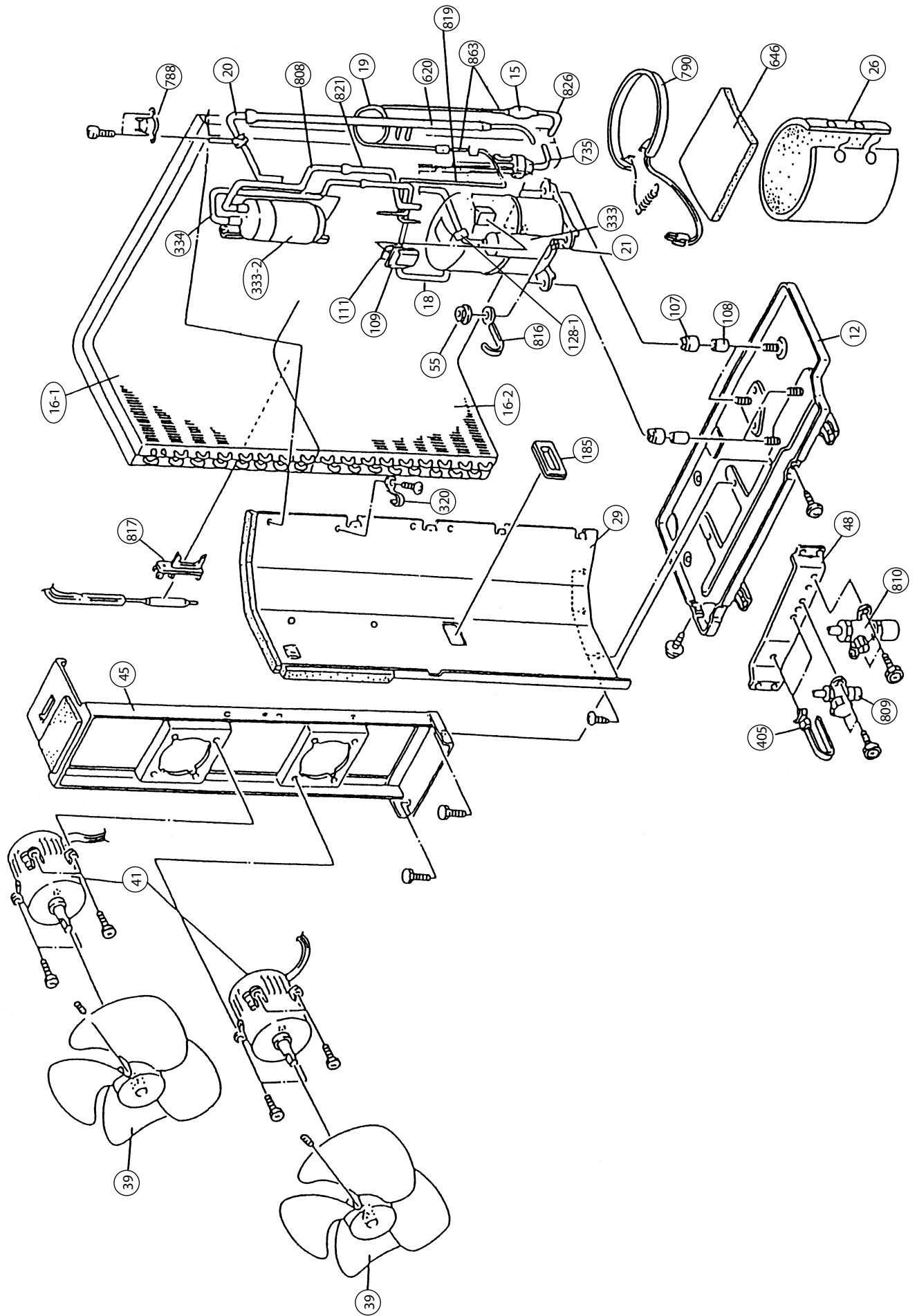


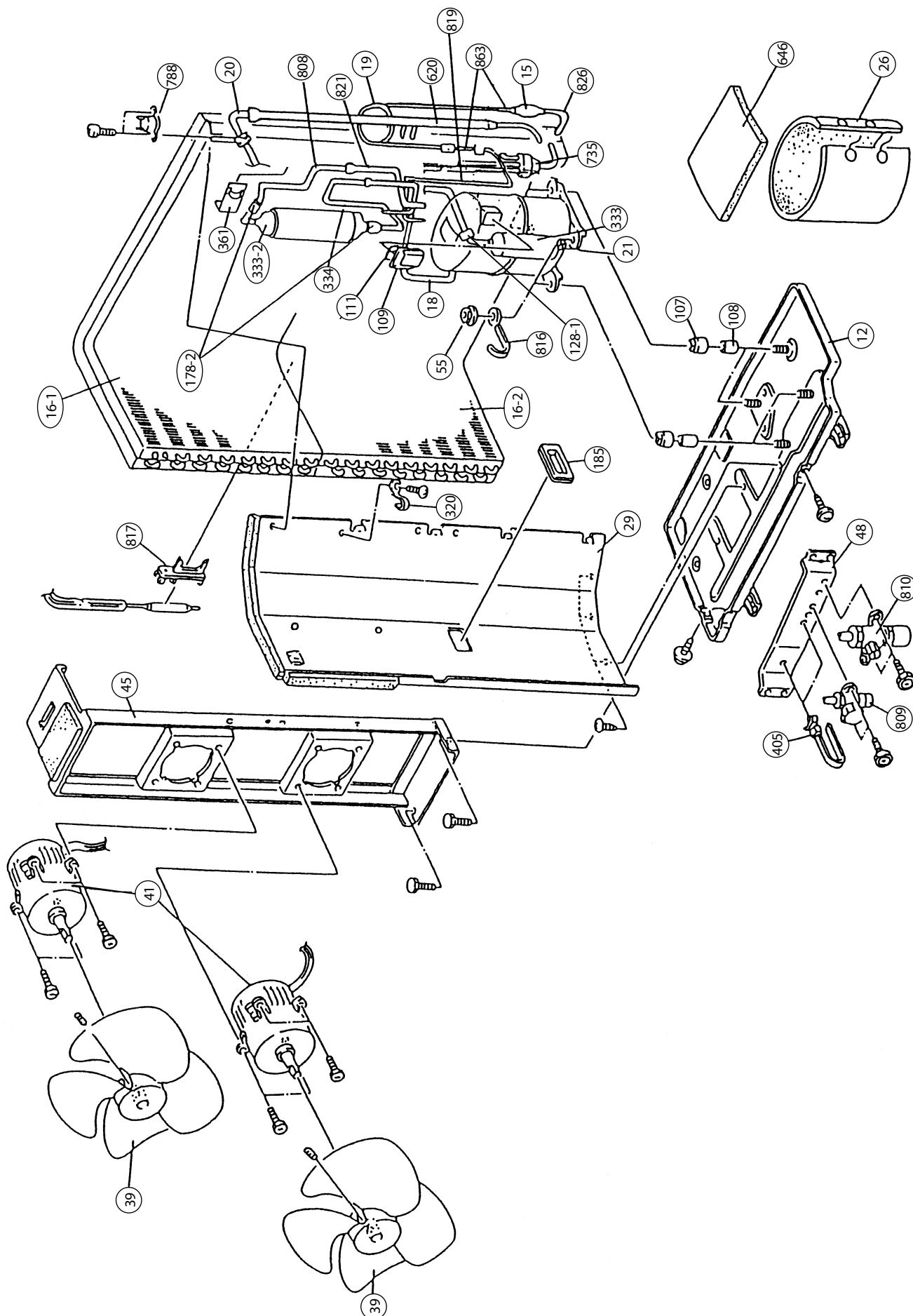


Models : AO□36ACG3L
AOG45ACA3L
AOY45ACA3L

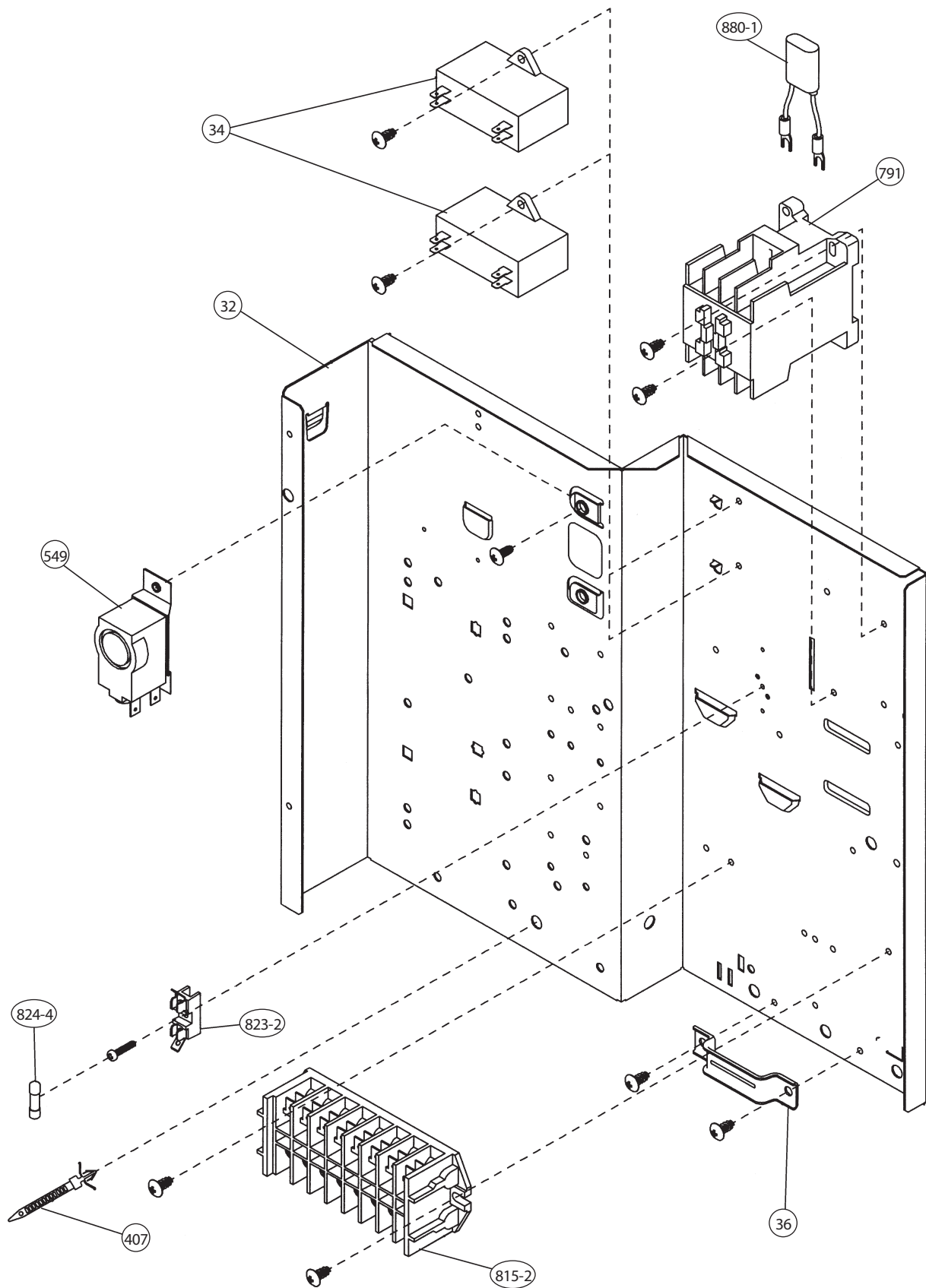


Models : AOG45ACA3L
AOY45ACA3L





Model : AOT45ACA3



PARTS LIST

INDOOR UNIT

When you order parts, please make a photocopy of this page and fill the number of the parts in the "Order" column.

Ref. No.	Description	Part No.						Ord.
		ABG36ABA3W	ABY36ABA3W	ABT36ABA3W	ABG45ABA3W	ABY45ABA3W	ABT45ABA3W	Qty
8	Air Filter	9359739005	9359739005	9359739005	9359739005	9359739005	9359739005	
12	Base Assy	9359680000	9359680000	9359680000	9359680000	9359680000	9359680000	
34	Capacitor (Fan Motor)	9703306068	9703306068	9703306068	9703306068	9703306068	9703306068	
56	Sirocco Fan Assy	9359701002	9359701002	9359701002	9359701002	9359701002	9359701002	
63	Panel (Front)	9359734000	9359734000	9359734000	9359734000	9359734000	9359734000	
69	Louver	9359719007	9359719007	9359719007	9359719007	9359719007	9359719007	
74	Intake Grille	9359738008	9359738008	9359738008	9359738008	9359738008	9359738008	
91	Hinge	9359699002	9359699002	9359699002	9359699002	9359699002	9359699002	
109	Casing	9359704003	9359704003	9359704003	9359704003	9359704003	9359704003	
122	Bearing-B Assy	9357921006	9357921006	9357921006	9357921006	9357921006	9357921006	
126	Bracket (Motor)	9359681007	9359681007	9359681007	9359681007	9359681007	9359681007	
138	Separate Wall	9359700005	9359700005	9359700005	9359700005	9359700005	9359700005	
146	Evaporator Assy	9371073019	9371073019	9371073019	9371073019	9371073019	9371073019	
160	Drain Pan	9359698005	9359698005	9359698005	9359698005	9359698005	9359698005	
164	Fan Motor Assy-IN	9360457004	9360457004	9360457004	9360457004	9360457004	9360457004	
174	Hanger	9359742005	9359742005	9359742005	9359742005	9359742005	9359742005	
181	Hole Cover	9359691006	9359691006	9359691006	9359691006	9359691006	9359691006	
185-1	Rubber Bushing	9357376004	9357376004	9357376004	9357376004	9357376004	9357376004	
186	Cover (Edge)	9361049017	9361049017	9361049017	9361049017	9361049017	9361049017	
187	Clamp No.1219	313361271706	313361271706	313361271706	313361271706	313361271706	313361271706	
195	Clamp SKB-100	313361275805	313361275805	313361275805	313361275805	313361275805	313361275805	
227	Badge ĞENERALÓ	9359735021	Ñ Ñ Ñ	Ñ Ñ Ñ	9359735021	Ñ Ñ Ñ	Ñ Ñ Ñ	
227	Badge ĆUJITSUÓ	Ñ Ñ Ñ	9359735014	9359735014	Ñ Ñ Ñ	9359735014	9359735014	
228	Insulation (Louwer)-R	9359721000	9359721000	9359721000	9359721000	9359721000	9359721000	
229	Insulation (Louwer)-L	9359722007	9359722007	9359722007	9359722007	9359722007	9359722007	
233	Control Box Assy	9359708001	9359708001	9359708001	9359708001	9359708001	9359708001	
234	Thermistor 9703299025		9703299025	9703299025	9704557360	9704557360	9704557360	
236	Controller PCB Assy	9704557353	9704557353	9704557353	9704557353	9704557353	9704557353	
240	Remote Control Unit	9371190020	9371190020	9371190020	9371190020	9371190020	9371190020	
240-1	Cover Panel (Pipe)-L	9359690009	9359690009	9359690009	9359690009	9359690009	9359690009	
240-2	Cover Panel (Pipe)-R	9359689003	9359689003	9359689003	9359689003	9359689003	9359689003	
253-1	Wire Assy (Connector)	9702321017	9702321017	9702321017	9702321017	9702321017	9702321017	
253-2	Wire Assy (Connector)	9702322014	9702322014	9702322014	9702322014	9702322014	9702322014	
253-3	Wire Assembly	9702311018	9702311018	9702311018	9702311018	9702311018	9702311018	
253-4	Wire Assy (Connector)	9702323011	9702323011	9702323011	9702323011	9702323011	9702323011	
253-5	Wire Assy (Connector)	9702319014	9702319014	9702319014	9702319014	9702319014	9702319014	
253-6	Wire Assy (Connector)	9702317010	9702317010	9702317010	9702317010	9702317010	9702317010	
253-7	Wire Assy (Connector)	9702318017	9702318017	9702318017	9702318017	9702318017	9702318017	
253-8	Wire Assy (Connector)	9702066062	9702066062	9702066062	9702066062	9702066062	9702066062	
253-9	Wire Assembly	9704847010	9704847010	9704847010	9704847010	9704847010	9704847010	
286	Bracket (Bearing)	9359686002	9359686002	9359686002	9359686002	9359686002	9359686002	
321	Flap Assy	9359731009	9359731009	9359731009	9359731009	9359731009	9359731009	
329	Coupling Pipe Assy	9361160002	9361160002	9360456007	9360456007	9360456007	9360456007	
338-1	Fixture (Motor)	9359702009	9359702009	9359702009	9359702009	9359702009	9359702009	
338-2	Fixture (Motor)-B	9359703006	9359703006	9359703006	9359703006	9359703006	9359703006	
345-1	Filter Guide-R	9359692003	9359692003	9359692003	9359692003	9359692003	9359692003	
345-2	Filter Guide-L	9359693000	9359693000	9359693000	9359693000	9359693000	9359693000	
361	Bushing	9359733003	9359733003	9359733003	9359733003	9359733003	9359733003	
379	Hinge Plate (Grille)	9359694007	9359694007	9359694007	9359694007	9359694007	9359694007	
380	Locking Spacer KGLS-6S	313209391403	313209391403	313209391403	313209391403	313209391403	313209391403	
381-4	Spacer	0600118075	0600118075	0600118075	0600118075	0600118075	0600118075	
382	Cover (Decoration)-R	9359744009	9359744009	9359744009	9359744009	9359744009	9359744009	
383	Cover (Decoration)-L	9359745006	9359745006	9359745006	9359745006	9359745006	9359745006	
384	Shaft	9359707004	9359707004	9359707004	9359707004	9359707004	9359707004	
385	Indicator PCB Assy	9702260019	9702260019	9702260019	9702260019	9702260019	9702260019	
386	Panel-Left Assy	9359685005	9359685005	9359685005	9359685005	9359685005	9359685005	
387	Panel-Right Assy	9359683001	9359683001	9359683001	9359683001	9359683001	9359683001	
388	Joint Assy	9359706007	9359706007	9359706007	9359706007	9359706007	9359706007	
396	Rfm Bracket Metal	9359697008	9359697008	9359697008	9359697008	9359697008	9359697008	
403	Fixture (Bearing)	9359687009	9359687009	9359687009	9359687009	9359687009	9359687009	

ABG36ABA3W
ABY36ABA3W
ABT36ABA3W
ABG45ABA3W
ABY45ABA3W
ABT45ABA3W

INDOOR UNIT (Continued)

When you order parts, please make a photocopy of this page and fill the number of the parts in the "Order" column.

Ref. No.	Description	Part No.						Ord.
		ABG36ABA3W	ABY36ABA3W	ABT36ABA3W	ABG45ABA3W	ABY45ABA3W	ABT45ABA3W	Qty
407	Rod (Motor)	9359723004	9359723004	9359723004	9359723004	9359723004	9359723004	
408	Link (Louver)	9359726005	9359726005	9359726005	9359726005	9359726005	9359726005	
424	Sector Gear	9359729006	9359729006	9359729006	9359729006	9359729006	9359729006	
434	Base (Louver)	9359718000	9359718000	9359718000	9359718000	9359718000	9359718000	
435	Louver Spring	9359720003	9359720003	9359720003	9359720003	9359720003	9359720003	
436	Flap Spring	9359730002	9359730002	9359730002	9359730002	9359730002	9359730002	
438	Pinion Gear	9359728009	9359728009	9359728009	9359728009	9359728009	9359728009	
448	Control Box-B	9359713005	9359713005	9359713005	9359713005	9359713005	9359713005	
472	Control Box-A	9359712008	9359712008	9359712008	9359712008	9359712008	9359712008	
505	Stopper (Louver)	9359724001	9359724001	9359724001	9359724001	9359724001	9359724001	
506	Rod (Louver)	9359725008	9359725008	9359725008	9359725008	9359725008	9359725008	
580	Cover (Top)	9359737001	9359737001	9359737001	9359737001	9359737001	9359737001	
625	Cord Bushing	9359240006	9359240006	9359240006	9359240006	9359240006	9359240006	
684	Motor Base	9359727002	9359727002	9359727002	9359727002	9359727002	9359727002	
735	Distributor Assy	9360455000	9360455000	9360455000	9360455000	9360455000	9360455000	
743	Remote Control Holder Case	9305642014	9305642014	9305642014	9305642014	9305642014	9305642014	
752	Bracket Panel (Pipe)	9359688006	9359688006	9359688006	9359688006	9359688006	9359688006	
755	Cover (Casing)	9359705000	9359705000	9359705000	9359705000	9359705000	9359705000	
761	Cover (Side)-R	9359740001	9359740001	9359740001	9359740001	9359740001	9359740001	
762	Cover (Side)-L	9359741008	9359741008	9359741008	9359741008	9359741008	9359741008	
763	Cover (Receiver)	9359714002	9359714002	9359714002	9359714002	9359714002	9359714002	
815-1	Terminal-3P	9358660027	9358660027	9358660027	9358660027	9358660027	9358660027	
868	PCB Holder	9359736004	9359736004	9359736004	9359736004	9359736004	9359736004	
875	Filter PCB Assy	9704561138	9704561138	9704561138	9704561138	9704561138	9704561138	
876-1	Motor, Step-H	9360479013	9360479013	9360479013	9360479013	9360479013	9360479013	
876-2	Motor, Step-V	9360307026	9360307026	9360307026	9360307026	9360307026	9360307026	
982-1	Cord Clamp-A	9359820017	9359820017	9359820017	9359820017	9359820017	9359820017	
982-2	Cord Clamp-B	9359821014	9359821014	9359821014	9359821014	9359821014	9359821014	

OUTDOOR UNIT

When you order parts, please make a photocopy of this page and fill the number of the parts in the "Order" column.

Ref. No.	Description	Part No.						Ord.
		AOG36ACG3L	AOY36ACG3L	AOT36ACG3L	AOG45ACA3L	AOY45ACA3L	AOT45ACA3	Q'ty
2	Fan Cover	9352159015	9352159015	9352159015	9352159015	9352159015	9352159015	
4	Emblem-Rear	313791088308	9351355005	9351355005	313791088308	9351355005	9351355005	
5	Cabinet-A, Painted	9352146015	9352146015	9352146015	9352146015	9352146015	9352146015	
6	Cabinet-C, Painted	9352149016	9352149016	9352149016	9352149016	9352149016	9352149016	
9	Cabinet-B, Painted	9352147012	9352147012	9352147012	9352147012	9352147012	9352147012	
12	Base Assy, Painted	9352136016	9352136016	9352136016	9352136016	9352136016	9352136016	
15	Dryer	9368113032	9368113032	9368113032	9368111014	9368111014	9368111014	
16	Condenser Assy	9352128011	9352128011	9352128011	-----	-----	-----	
16-1	Condenser-A Assy	-----	-----	-----	9369544002	9369544002	9369544002	
16-2	Condenser-B Assy	-----	-----	-----	9369545009	9369545009	9369545009	
18	Suction Pipe	9368087005	9368087005	9368087005	9353200006	9353200006	9353200006	
19	Capillary Tube	9352439001	9352439001	9352439001	9353644008	9353644008	9353644008	
20	Discharge Pipe	9368089009	9368089009	9368089009	9353620002	9353620002	9353620002	
21	Discharge Pipe-B	9353209009	9353209009	9353209009	9353209009	9353209009	9353209009	
26	Compressor Cover-A	9368090012	9368090012	9368090012	9353367006	9353367006	9353367006	
29	Separate Wall	9358705018	9358705018	9358705018	9355277013	9355277013	9355277013	
30	Blower Cover, Painted	9352151019	9352151019	9352151019	9352151019	9352151019	9352151019	
32	Control Box Metal	9352134012	9352134012	9352134012	9352134012	9352134012	9352134012	
34	Capacitor (Fan Motor)	9357965024	9357965024	9357965024	9357965024	9357965024	9357965024	
36	Cord Holder Metal	9356934007	9356934007	9356934007	9356934007	9356934007	9356934007	
39	Propeller Fan Assy	9300855013	9300855013	9300855013	9300855013	9300855013	9300855013	
41	Fan Motor Assy-Out	9600832028	9600832028	9600832028	9600832028	9600832028	9600832028	
45	Bracket (Motor) Assy	9352141003	9352141003	9352141003	9352141003	9352141003	9352141003	
46	Compressor Assy	9368020002	9368020002	9368020002	9353157003	9353157003	9353157003	
48	Bracket (Coupler) Assy	9355281010	9355281010	9355281010	9355281010	9355281010	9355281010	
54	Condensing Pipe-A	9352296000	9352296000	9352296000	-----	-----	-----	
55	Special Nut M8 (For Comp.)	9355091008	9355091008	9355091008	9355091008	9355091008	9355091008	
107	Rubber Seat-A (For Comp.)	9368293017	9368293017	9368293017	9351875039	9351875039	9351875039	
108	Sleeve-A (For Comp.)	9351875046	9351875046	9351875046	9351875046	9351875046	9351875046	
109	Terminal Cover (For Comp.)	9351875053	9351875053	9351875053	9351875053	9351875053	9351875053	
111	Terminal Packing	9351875060	9351875060	9351875060	9351875060	9351875060	9351875060	
128-1	Rubber (Discharge Pipe)	313155086308	313155086308	313155086308	313155086308	313155086308	313155086308	
178-2	Capillary Holder Rubber	313394274808	313394274808	313394274808	313394274808	313394274808	313394274808	
185	Rubber Bushing	313005066051	313005066051	313005066051	313005066051	313005066051	313005066051	
259	Muffler	9368082000	9368082000	9368082000	-----	-----	-----	
320	Wire Clamp Metal	313483219905	313483219905	313483219905	313483219905	313483219905	313483219905	
333	Accumulator N	-----	-----	-----	9350363018	9350363018	9350363018	
333-2	Accumulator Assy (B)	9301942019	9301942019	9301942019	-----	-----	9301942019	
333-2	Accumulator Assy	-----	-----	-----	9362425001	9362425001	-----	
334	Suction Pipe-B	9352557002	9352557002	9352557002	9352287008	9352287008	9352557002	
361	Accumulator Support Assy	9355351003	9355351003	9355351003	-----	-----	9355351003	
373	Grip	9352157004	9352157004	9352157004	9352157004	9352157004	9352157004	
401	Terminal-2P 9701971015		9701971015	9701971015	9701971015	9701971015	-----	
405	Clamp No.1763	313816345304	313816345304	313816345304	313816345304	313816345304	313816345304	
407	Clip (Cable) No.1259	313739340109	313739340109	313739340109	313739340109	313739340109	313739340109	
527	Protection Net	9352163012	9352163012	9352163012	9352163012	9352163012	9352163012	
549	Thermostat-Outdoor	9352426001	9352426001	9352426001	9352426001	9352426001	9352426001	
620	Inlet Pipe (Cond.) Assy	9355316019	9355316019	9355316019	9353183002	9353183002	9353183002	
646	Compressor Cover-B	313986355101	313986355101	313986355101	9353368003	9353368003	9353368003	
734	Cabinet Top Plate	9352161018	9352161018	9352161018	9352161018	9352161018	9352161018	
735	Distributor Assy	-----	-----	-----	9353187000	9353187000	9353187000	
788	Thermistor-Overheat	9354061002	9354061002	9354061002	9354061002	9354061002	9354061002	
790	Belt Heater	9361140103	9361140103	9361140103	9361140028	9361140028	-----	
791	Magnetic Relay	9363277005	9363277005	9363277005	9363277005	9363277005	9363277005	
803	Cabinet-D, Painted	9352150012	9352150012	9352150012	9352150012	9352150012	9352150012	
805	Blower Cover Corner	9352160011	9352160011	9352160011	9352160011	9352160011	9352160011	
806	Cond. Pass Pipe-A	9352294006	9352294006	9352294006	-----	-----	-----	
807	Cond. Pass Pipe-B	9353090010	9353090010	9353090010	-----	-----	-----	
808	Inlet Pipe (Accumulator)	9352556005	9352556005	9352556005	9352285004	9352285004	9352556005	
809	Ball Valve-A	9371799049	9371799049	9371799049	9371799049	9371799049	9371799049	

AOG36ACG3L
 AOY36ACG3L
 AOT36ACG3L
 AOG45ACA3L
 AOY45ACA3L
 AOT45ACA3

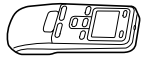

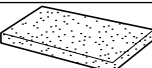



OUTDOOR UNIT (Continued)

When you order parts, please make a photocopy of this page and fill the number of the parts in the "Order" column.


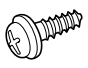
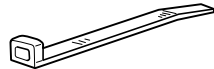
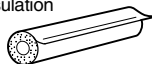
Ref. No.	Description	Part No.						Ord.
		AOG36ACG3L	AOY36ACG3L	AOT36ACG3L	AOG45ACA3L	AOY45ACA3L	AOT45ACA3	Q'ty
810	Ball Valve-B	9371799056	9371799056	9371799056	9371799056	9371799056	9371799056	
813	Cabinet Hook	9352148002	9352148002	9352148002	9352148002	9352148002	9352148002	
815-2	Terminal-8P 9363276022		9363276022	9363276022	9363276022	9363276022	9363276022	
816	Wire Clamp Metal	313584219902	313584219902	313584219902	313584219902	313584219902	313584219902	
817	Thermostat Fixture	9352164019	9352164019	9352164019	9352164019	9352164019	9352164019	
818	Accumulator Support-B Assy	9355350006	9355350006	9355350006	----	----	----	
819	Valve-A Couple. Pipe	9352298004	9352298004	9352298004	9353621009	9353621009	9353621009	
820	Joint Pipe (Capillary)	9352299001	9352299001	9352299001	----	----	----	
821	Joint Pipe Assy	9352284007	9352284007	9352284007	9352284007	9352284007	9352284007	
822	Fan Cover Fixture-A	9352158018	9352158018	9352158018	9352158018	9352158018	9352158018	
823-2	Fuse Holder	0500063024	0500063024	0500063024	0500063024	0500063024	0500063024	
824-4	Fuse	0600222529	0600222529	0600222529	0600222529	0600222529	0600222529	
826	Condensing Pipe-B	9352297007	9352297007	9352297007	9353215000	9353215000	9353215000	
844	Wire Assy (Shield)-S	9352307010	9352307010	9352307010	9352307010	9352307010	9352307010	
863	Joint Pipe (Capillary)-B	----	----	----	9353206008	9353206008	9353206008	
880-1	Network	9700987017	9700987017	9700987017	9700987017	9700987017	9700987017	

STANDARD ACCESSORIES

INDOOR UNIT ACCESSORIES

Name and Shape	Q'ty	Application	Part No.
Remote control unit 	1	Use for air conditioner operation	9371190020 (AR-JW2)
Battery (pen light) 	2	For remote control unit	0600185534
Remote control unit holder	1	For mounting the remote control unit	9305642014
Tapping screw (ϕ 3 x 12)	3	For remote control unit holder installation	301141533125
Drain hose insulation 	1	Adhesive type 70 x 230	9360464002
VT wire	1	For fixing the drain hose L 280 mm	313806350303
Coupler heat insulator (large)	2	For indoor side pipe joint (large pipe)	9350716029
Coupler heat insulator (small)	1	For indoor side pipe joint (small pipe)	9352766015
Nylon fastener 	Large 4	For fixing the coupler heat insulator	9301501001
	Small 4		312300787605
Special nut A (large flange) 	4	For installing indoor unit	313005446653
Special nut B (small flange)	4	For installing indoor unit	313005446759
Installation template	1	For positioning the indoor unit	9360022004
Auxiliary pipe assembly 	1	For connecting the piping	9360463005

OUTDOOR UNIT ACCESSORIES

Name and Shape	Q'ty	Application	Part No.
Power cap	1	For power cord installation	9352173011
Auxiliary pipe assembly 	1	For connecting the piping	9355292016
Edge cover	1	For edge protection	9352436000
Tapping screw 	2	For cabinet A and cabinet D mounting (1)	301463040100
Binder 	1	For power supply cord binding	313035356905
Putty	1	For sealing	303020200114
Coupler heat insulation 	1	For outdoor side pipe joint	313005074759



Большая библиотека технической документации
<https://splitsystema48.ru/instrukcii-po-ekspluatácii-kondicionerov.html>
каталоги, инструкции, сервисные мануалы, схемы.